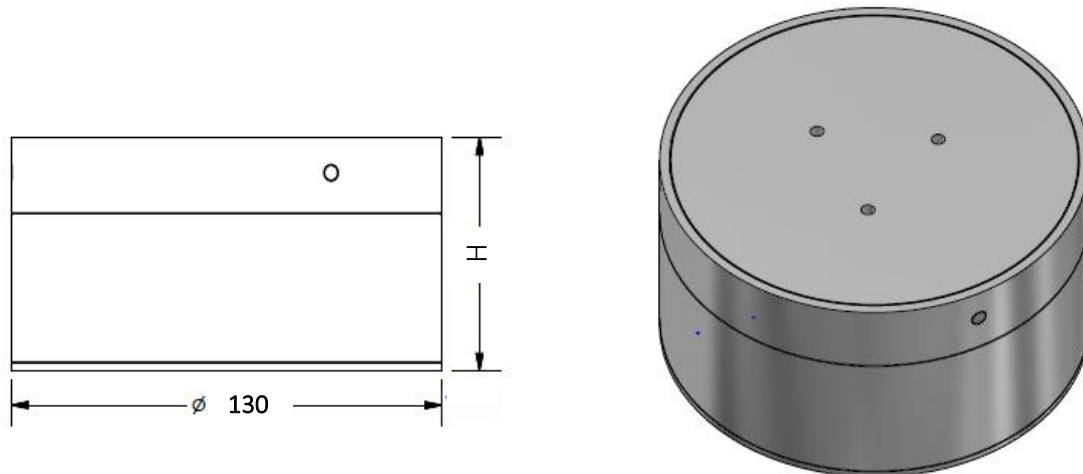


Floorbox typ ZGP-13

Basic dimensions:



Description:

ZGP-13 type floorbox consists of a two-piece body with a cover equipped with a bayonet-spring locking mechanism ensuring tight closure of the box after turning the cover by about 10°. The dimensions of the box have been selected so that it can be mounted in a hole made with a diamond drill with a diameter of 130mm. The floorbox can only be opened with the use of a special ZGP-K key. In the bottom cover there are 2 cable enters Ø20 mm for inserting cables or installation pipes. To facilitate the assembly and leveling of the floorbox, there are adjusting screws at the bottom of the floorbox.

Set contains:

- top cover with a gasket and a K-ZGP key lock,
- upper body,
- mounting plate with accessories according to the table above,
- lower body,
- bottom cover with bushings and adjustment screws

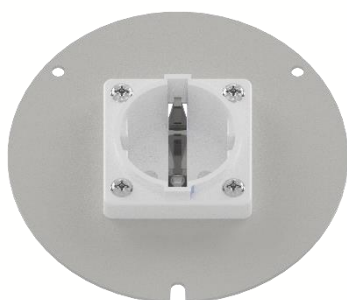
When ordering, one ZGP-K key is included for every 5 floor boxes.

Application: for floors with any surface finish, e.g. porcelain stoneware, natural stone, concrete, carpeting and others, in places with high humidity / dustiness, exposed to loads of even very high values up to 25 tons. The surface of the cover is finished with an anodized aluminum alloy, which makes the cans highly aesthetic and resistant to chemicals, so they can be installed in representative places with high traffic. High tightness of the set is achieved only after the can is completely closed with the key.

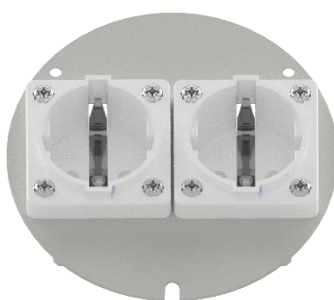
Technical data:

Weight:	1.2 kg
Dimensions:	Ø130x70, 80, 100, 120, 140 mm
Material:	Aluminum PA4, upper part with anodized cover
Degree of protection:	IP67 [PN-EN 50085-1: 2010, PN-EN 60529: 2003]
Impact resistance:	IK10 [PN-EN 50085-1: 2010 points 5.8, 10.3.2, PN-EN 62262: 2003]
Pressing force:	<250kN [PN-EN 50085-2-2: 2009 item 10.5.104]

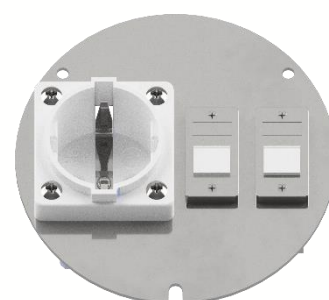
Possible equipment:



1 1E



1 2E



13E



33E



34E

Order number depending on height and equipment:

Floorboxes typ ZGP-13						
height equipment	H=70mm	H=80mm	H=100mm	H=120mm	H=140mm	Description of equipment
	11E	ZGP-1307-11E	ZGP-1308-11E	ZGP-1310-11E	ZGP-1312-11E	
12E	ZGP-1307-12E	ZGP-1308-12E	ZGP-1310-12E	ZGP-1312-12E	ZGP-1314-12E	2x socket 1 phase 16A+N+PE without a flip
13E	ZGP-1307-13E	ZGP-1308-13E	ZGP-1310-13E	ZGP-1312-13E	ZGP-1314-13E	1x socket 1 phase 16A+N+PE without a flip, 2x adapter RJ45
31E			ZGP-1310-31E	ZGP-1312-31E	ZGP-1314-31E	1 x socket 3 phases 20A+N+PE to an external adapter
33E			ZGP-1310-33E	ZGP-1312-33E	ZGP-1314-33E	1x socket 3 phases 20A+N+PE to an external adapter, 2x adapter RJ45
34E					ZGP-1314-34E	1x socket 3 phases 16A+N+PE

Additional accessories:

ZGP-13-PP raising ring

it is used to protect the inside of the floorbox (when connected receivers) against contamination, e.g. dirt or water with cleaning floor machines. The ring is mounted on the floorbox using lid locking mechanism. The cover, on the other hand, is mounted on the ring in the same way as in a floorbox. Derivation cables to the receivers is then carried out via a special for this purpose, a prepared hole in the ring.



ZGP-13-AZ external adapter

is a set of sockets mounted on a cylinder-shaped tube with a diameter floorboxes. The set consists of two single-phase 230V sockets with a cover and one 3-phase socket 16A 400V. The adapter is connected to the floorbox with a plug to the socket 3-phase 20A mounted in a floorbox. The adapter housing has cable entry hole for connecting to RJ45 sockets. The locking mechanism is the same as in the floorbox, which enables the installation of the floorbox cover on the adapter, which protects it against dirt or unauthorized access.

